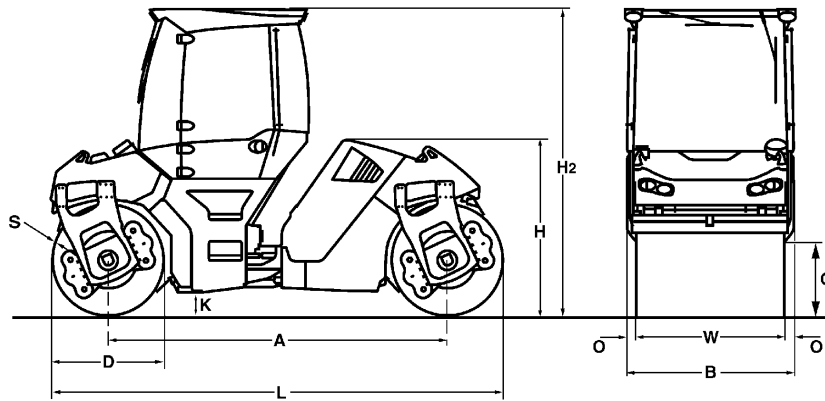


TECHNICAL DATA

TANDEM ROLLERS

BW 141 AD - 5, BW 151 AD - 5, BW 154 AD - 5





Dimensions in mm

	A	B	C	D	H	H2	K	L	O	S	W
BW 141 AD - 5	3300	1664	730	1100	2240	3000	250	4400	82	16	1500
BW 151 AD - 5	3300	1844	730	1100	2240	3000	250	4400	82	16	1680
BW 154 AD - 5	3300	1844	730	1100	2240	3000	250	4400	82	16	1680

Shipping dimensions in m3

BW 141 AD - 5
BW 151 AD - 5
BW 154 AD - 5

without ROPS

16,400
 18,174
 18,174

with ROPS

21,965
 24,341
 24,341

Machine type	Compaction output (m3/h) at recommended soil layer thicknesses		
	Gravel, sand	Mixed soil	Silt, clay
BW 141 AD - 5	140-280	120-250	65-130
BW 151 AD - 5	160-320	150-300	75-150

Machine type	Compaction output (t/h) at different asphalt layer thicknesses		
	2-4 cm	6-8 cm	10-14 cm
BW 141 AD - 5	35-70	70-150	100-180
BW 151 AD - 5	40-80	80-170	120-200
BW 154 AD - 5	40-80	80-170	120-200

Technical Data**BOMAG
BW 141 AD - 5****BOMAG
BW 151 AD - 5****BOMAG
BW 154 AD - 5****Weights**

Operating weight CECE w. cab.	kg	6.900	7.600	8.300
Axle load, front CECE	kg	3.560	3.900	4.250
Axle load, rear CECE	kg	3.340	3.700	4.050
Static linear load, front CECE	kg/cm	23,7	23,2	25,3
Static linear load, rear CECE	kg/cm	22,3	22,0	24,1
Grossweight	kg	8.700	9.300	9.900

Dimensions

Track radius, inner	mm	4.480	4.390	4.390
---------------------------	----	-------	-------	-------

Drums

Split drum		no	no	front + rear
------------------	--	----	----	--------------

Driving Characteristics

Max. travel speed	km/h	0- 12,0	0- 12,0	0- 12,0
Max. gradeability without/with vibr. ...	%	40/30	40/30	36/30

Drive

Engine manufacturer		Kubota	Kubota	Kubota
Type		V3307 CR-T	V3307 CR-T	V3307 CR-T
Emission stage		Stage V / TIER4f	Stage V / TIER4f	Stage V / TIER4f
Exhaust gas aftertreatment		DOC+DPF	DOC+DPF	DOC+DPF
Cooling		Liquid	Liquid	Liquid
Number of cylinders		4	4	4
Performance ISO 14396	kW	55,4	55,4	55,4
Performance SAE J 1995	hp	74,3	74,3	74,3
Speed	min-1	2.400	2.400	2.400
Electric equipment	V	12	12	12

Brakes

Service brake		hydrost.	hydrost.	hydrost.
Parking brake		multi disc	multi disc	multi disc

Steering

Steering system		oscil.artic.	oscil.artic.	oscil.artic.
-----------------------	--	--------------	--------------	--------------

Exciter system

Vibrating drum		front + rear	front + rear	front + rear
Autom. vibr. shut off		standard	standard	standard
Frequency	Hz	45/55	45/55	45/55
Amplitude	mm	0,71/0,28	0,68/0,26	0,61/0,30
Centrifugal force	kN	75/45	75/45	89/65
Centrifugal force	t	7,6/4,6	7,6/4,6	9,1/6,6

Capacities

Fuel	l	125,0	125,0	125,0
Water	l	600,0	600,0	600,0

Technical modifications reserved. Machines may be shown with options.

Standard Equipment

- 2 amplitudes / 2 frequencies
- ECOMODE
- Autom. vibration operation
- Individual vibration control
- Driver's seat, slewable
 - laterally slidable with steering wheel
- Emergency stop button
- On-board computer
 - engine speed
 - Speedometer
 - Fuel consumption
 - Engine temperature
- V-belt protection
- Pressure sprinkling system with 2 pumps
- Indicator and hazard lights
- Back-up alarm
- Battery disconnect switch
- Compartments for documents and tools

Optional Equipment

- ROPS cabin with seat belts
 - + heating, Ventilation
 - + 4 Working head lights
- ROPS cabin with air conditioning
- Rotary beacon
- Crab-walk to both sides (170mm)
- 2 LED-lights for cabin roof (flatbeam)
- Edge cutter
- Special painting
- Environmentally compliant hydraulic oil
- Radio/Radio preparation
- ROPS/FOPS with safety belt
- Precision spreader BS150 laterally slidable
- Asphalt temperature display
- Lighting for drum edge front and rear
- Seat heating
- Frequency 70Hz
- Approval by the German TÜV
- BOMAG TELEMATIC POWER
- Outside mirrors
- ECONOMIZER
- BOMAP compaction navigation with GPS

